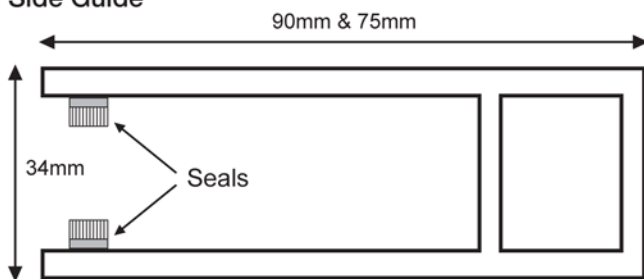


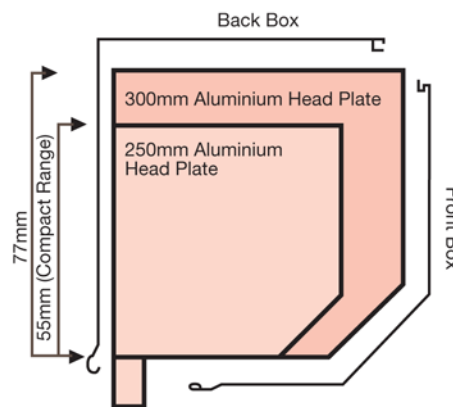
Space Requirements

- Our Insulated Roller Doors are manufactured especially to suit your garage. Sizes of up to 5m wide and 3m high are available
- Installation is easy – no frame is required maximizing your opening width for easier parking.
- The automatic option will cost less than you think, and give you convenient and hassle free operation.

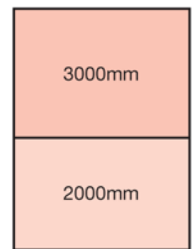
Side Guide



The main curtain of the door runs between two side guides which incorporate double brush seals to help prevent against draughts, whilst increasing the insulation value of the door.



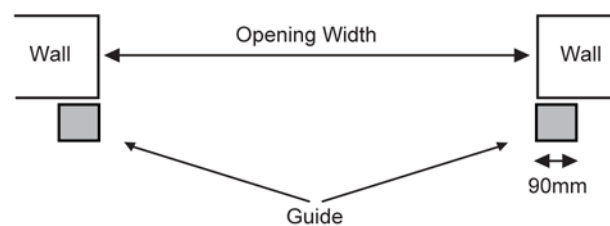
Maximum Height Achievable per Head Plate Size



All heights are inclusive of head plates.

Face Fix

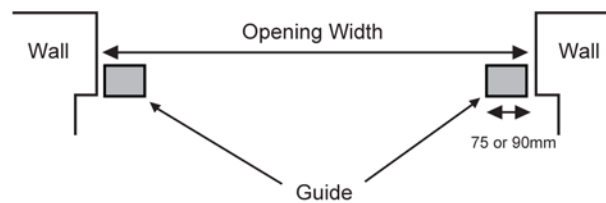
Face Fix



- Side room requirement is 90mm minimum each side to allow the side guides to be installed.
- If there is not 90mm each side of the opening the guide can be installed in-between the opening.
- If the central barrel (where the door will roll around) will be visible from the outside then a 90° fascia will be required.

Restricted Clearance Fix

Restricted Clearance Fix



Drive Through Width = Opening Width - (150 mm up to 3m wide OR
-180mm 3-5m wide)

Head Room Requirements

- The headroom requirement for a roller door is 300mm. Should you have 250mm it is possible to use a 55mm (compact) lath. Please consult our sales team for further details.
- The drive through height is usually the opening height less 56mm.